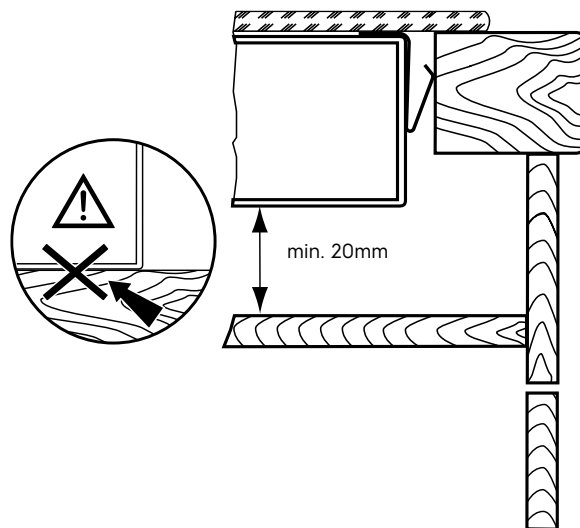
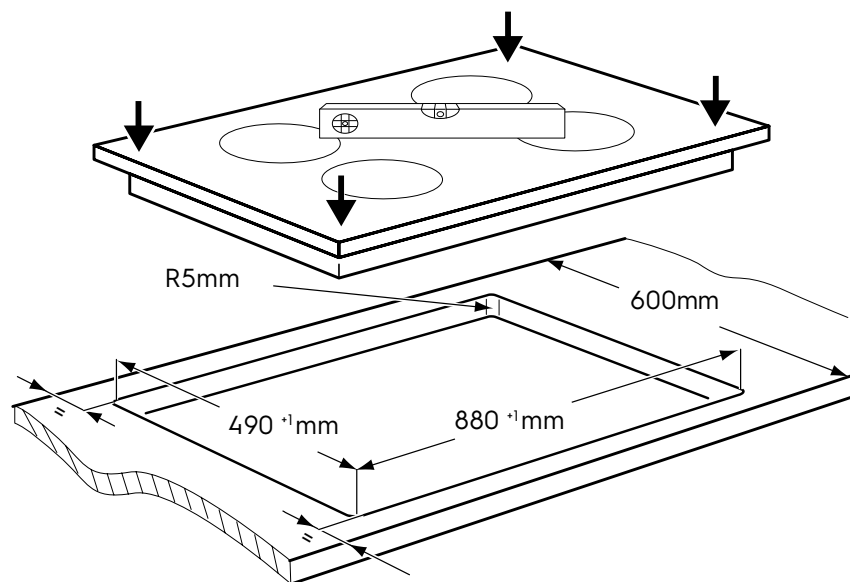


# Dimension Guide

## Induction cooktop

**Model:**  
EHI945BE



**Please note!** Dimensions to be used as a guide only. All customers MUST refer to the user manual supplied with the product for detailed installation instructions.

© 2021 Electrolux S.E.A PTE. LTD. EHI945BE\_Dim\_Sep21