

# Dimension Guide

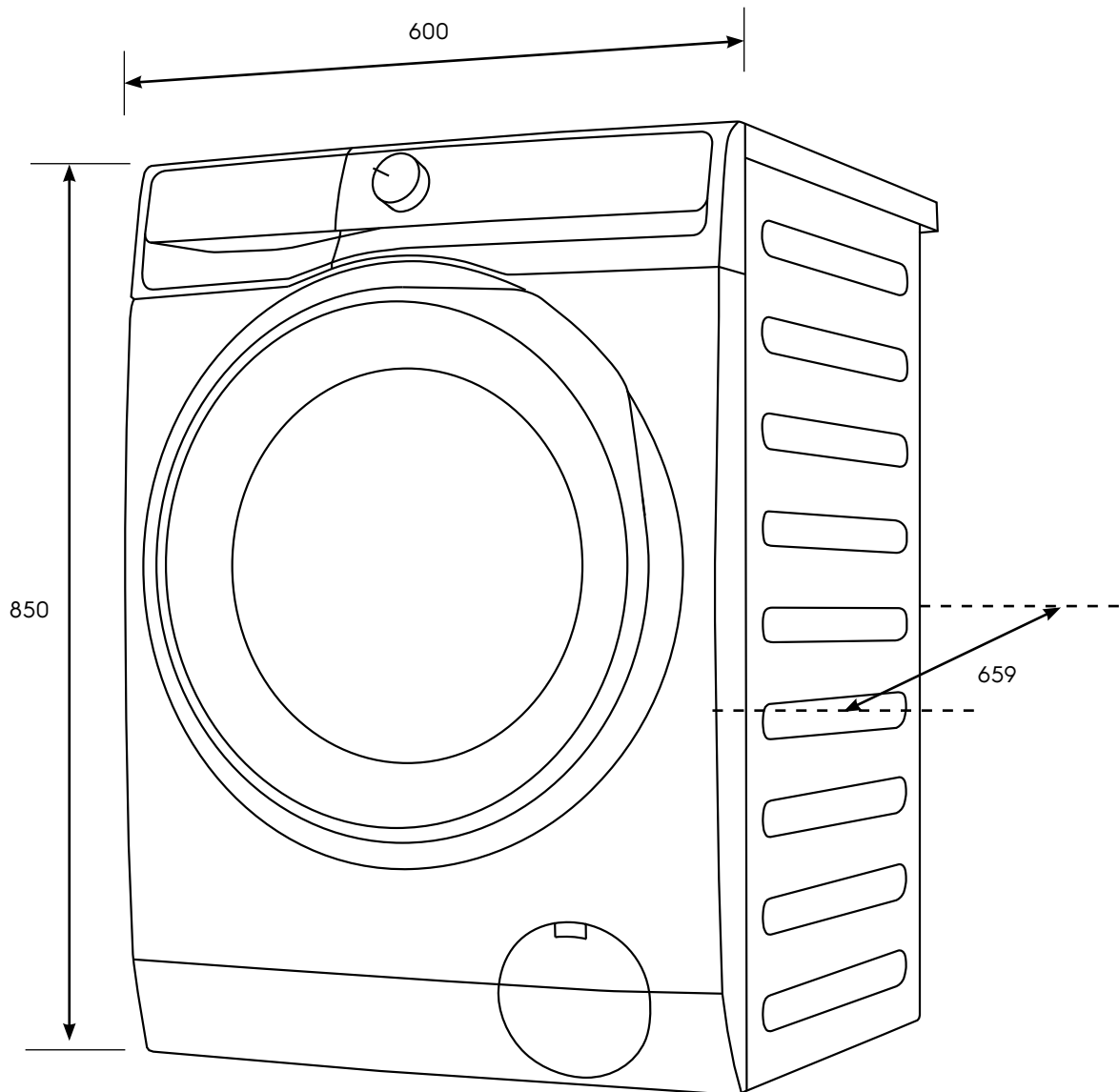
## Washing machine

**Model:**

EWFI242R9WC

**Dimensions**

	width	height	depth
Product (mm)	600	850	659



**Please note!** Dimensions to be used as a guide only. All customers MUST refer to the user manual supplied with the product for detailed installation instructions.

© 2024 Electrolux S.E.A PTE. LTD. ELX\_DIM\_EWFI242R9WC\_ANZ\_Mar24