

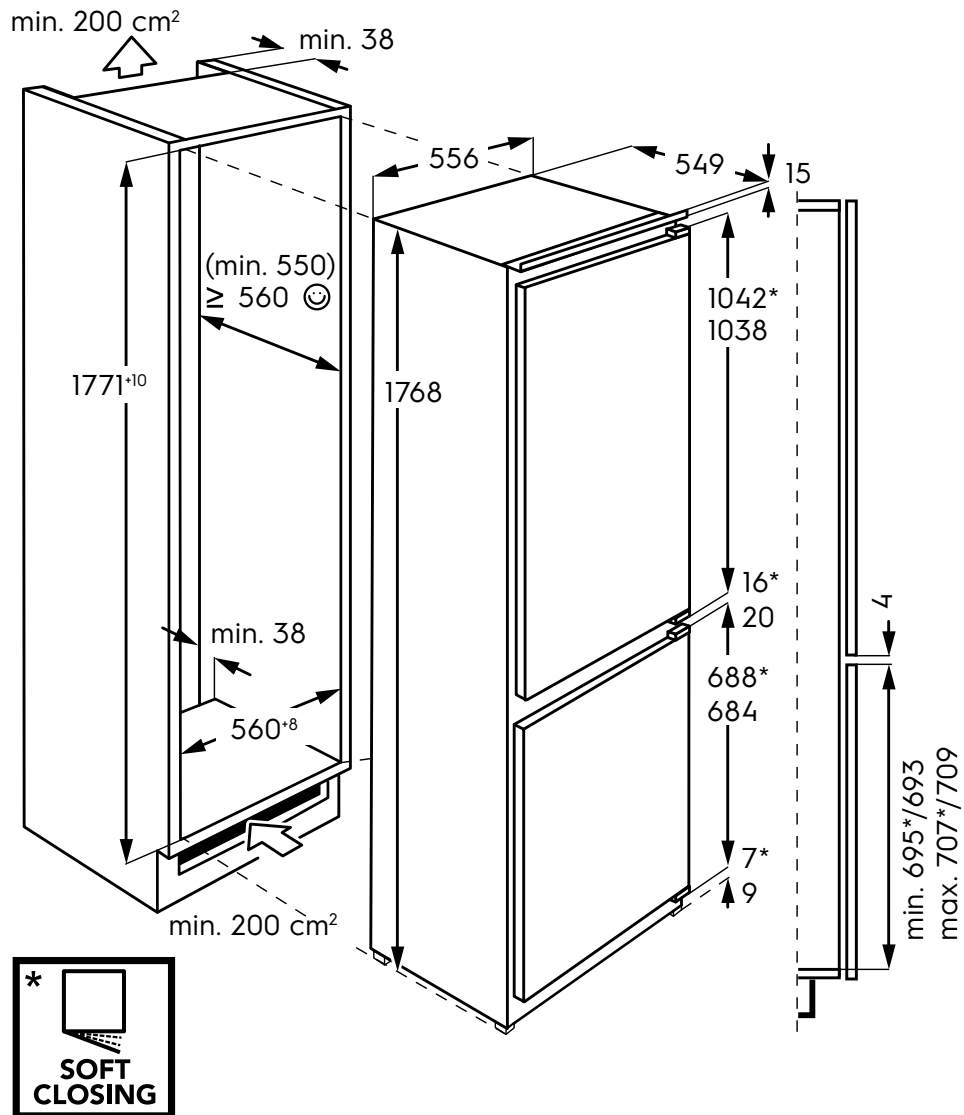
Dimension Guide

Built-in bottom freezer refrigerator

Model:
ENC2858AOW

Dimensions

	width (mm)	height (mm)	depth including door and handle (mm)
Product (mm)	556	1769	549



Please note! Dimensions to be used as a guide only. All customers MUST refer to the user manual supplied with the product for detailed installation instructions.
© 2021 Electrolux S.E.A PTE. LTD. ELX_DIM_ENC2858AOW_May21